

## HYDAC INTERNATIONAL



### Filtromat OF 5 with FCU

#### Description

The mobile filtration unit OF 5 is designed to fill/filter hydraulic & lubrication tanks and to filter offline whereby the contamination can be monitored. It is also designed for pumping out unfiltered hydraulic and lubrication oils, and draining hydraulic tanks.

The built-in FluidControl Unit FCU 2000 measures the particle contamination and monitors the oil cleanliness.

#### Applications

- Hydraulic and lubrication oil systems in a variety of industries

#### Advantages

- Convenient filtration in bypass flow
- Simultaneous monitoring of the particulate contamination
- Simple handling
- Increased system availability
- Reduction of life cycle costs LCC

#### Technical Details

Pump type	Vane pump
Max. flow rate	40 l/min
Operating pressure	4.5 bar
Permitted suction pressure at suction port	-0.4 bar to +0.6 bar
Viscosity range	15 to 300 mm <sup>2</sup> /s (version-dependent, see model code)
Permitted operating fluid	Mineral oil (others on request)
Fluid temperature	-10 to 70°C
Ambient temperature	-20 to 40°C
Seals	NBR
IP class	IP 54
Length of power cable	6 m
Length of hoses	3 m
Hose connections	Suction hose NW 28 with lance Pressure hose NW 25 with lance
Weight when empty	≈ 92 kg

## Model code

**OF 5 C 20 P 6 N 2 B 05 C**

### Basic type

OF 5

### Versions

C = mobile, without change-over valve, with FCU

### Type code

20 = with FCU 2010  
21 = with FCU 2110  
22 = with FCU 2210

### Seals

P = NBR (Perbunan)

### Motor-pump unit

Meas. ref.	Theor. output at 1450 rpm	Max. viscosity	El. motor rating at 50 Hz
3	30 l/min	250 mm <sup>2</sup> /s	0.75 kW
6	40 l/min	300 mm <sup>2</sup> /s	1.5 kW

### Electric motor voltage

N = 3 x 380 - 420 V - 50 Hz; 3 x 440 - 480 V - 60 Hz  
S = 3 x 500 - 600 V - 50 (60) Hz  
X = special voltage

### Filter size

2 = element 1300

### Filter material

B = Betamicon® (BN4HC)  
A = Aquamicon®

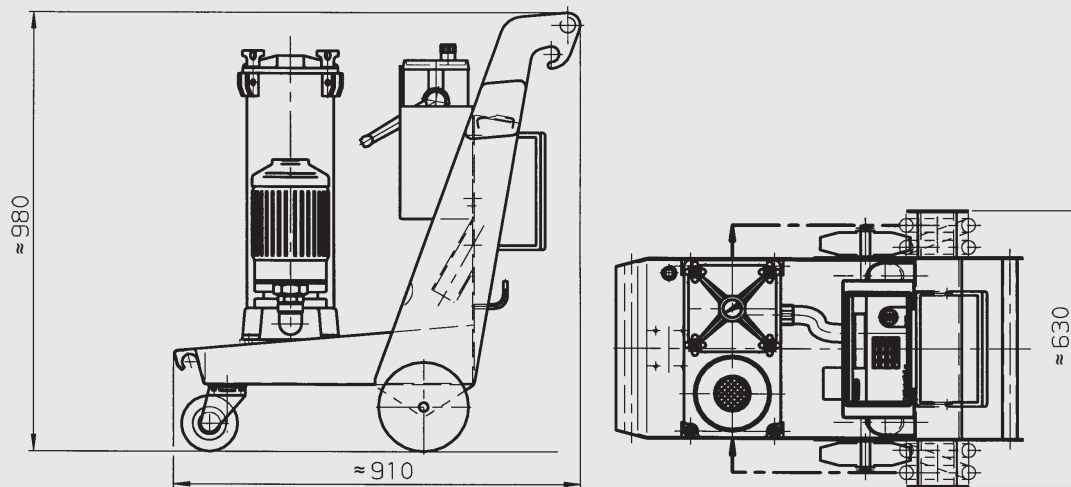
### Filtration rating

03 = 3 µm BN4HC; BN4AM  
05 = 5 µm BN4HC  
10 = 10 µm BN4HC; BN4AM  
20 = 20 µm BN4HC  
40 = 40 µm AM

### Clogging indicator

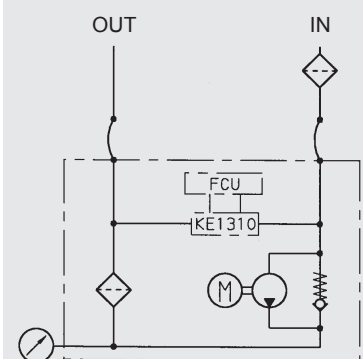
C = pressure gauge, electrical (VMF 2 C.0)

## Dimensions



E 7.939.4/01.16

## Hydraulic circuit diagram



## Replacement elements

Filter size	Filtration rating	Element type	Part no.
2	3 µm	1300 R 003 BN4HC/-KB (-V-KB)	1263059 (1263760)
2	5 µm	1300 R 005 BN4HC/-KB (-V-KB)	1263060 (1263761)
2	10 µm	1300 R 010 BN4HC/-KB (-V-KB)	1263061 (1263762)
2	20 µm	1300 R 020 BN4HC/-KB (-V-KB)	1263062 (1263763)
2	40 µm	1300 R 040 AM/-KB	1267699
2	3 µm	1300 R 003 BN4AM/-KB (-V-KB)	1267991 (1271839)
2	10 µm	1300 R 010 BN4AM/-KB (-V-KB)	1270010 (1276060)